

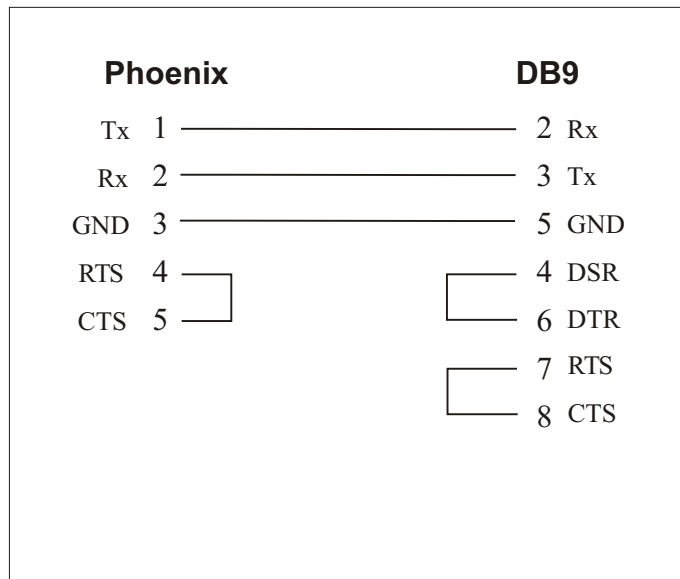


Niobrara MU2 Cable

The Niobrara MU2 Cable is an RS-232 serial data cable intended to be used to connect a Modicon Quantum[®] to the RS-232 port of an NR&D MUCM. One end of the cable is fitted with Phoenix Combicon[®] plug for connection to the MUCM; the other end terminates in a male DB9 connector for connection to a Quantum serial port.

Configuration

The pinout for the MU2 is as follows:



Installation:

Connect the Phoenix Combicon end of the MU1 cable to the RS-232 port of the MUCM. Connect the 9-pin DB9 end of the adapter to the Quantum serial port.