

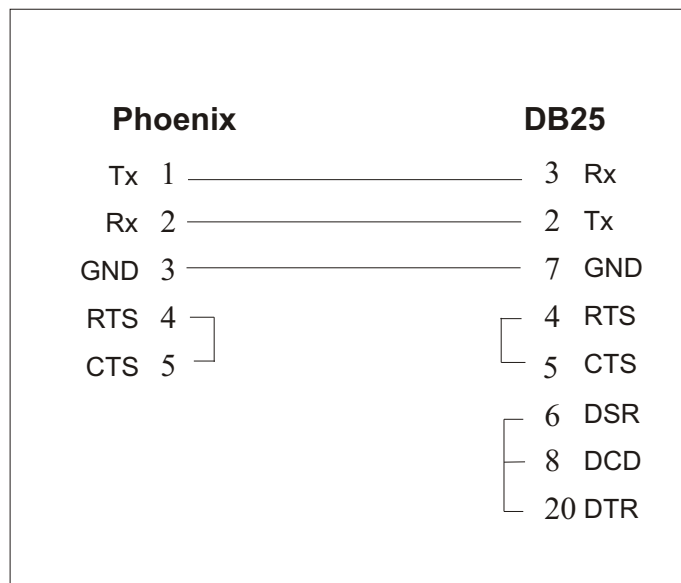


Niobrara MU16 Cable

The Niobrara MU16 Cable is an RS-232 serial data cable intended to be used to connect an NR&D MUCM to a 25-pin DTE Caterpillar® Customer Communication Module. One end of the cable is fitted with Phoenix Combicon® plug for connection to the MUCM; the other end terminates in a female DB25 connector for connection to the CCM.

Configuration

The pinout for the MU16 is as follows:



Installation:

Connect the Phoenix Combicon end of the MU4 cable to the RS-232 port of the MUCM. Connect the 25-pin DB25 end of the adapter to the CCM.