

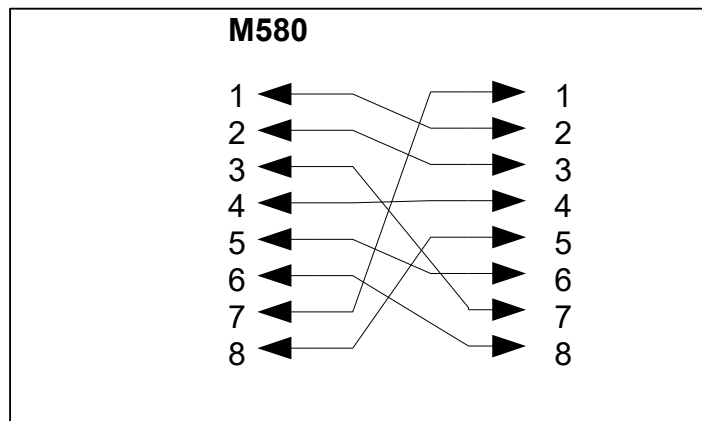


Niobrara MM21 Cable

The Niobrara MM21 Cable is an RS-232 cable intended to make an M340 or M580 RS-232 RJ45 port appear as a PC RS-232 9-pin port. The M580 end of the cable is terminated in an RJ45 plug. The PC end is terminated by a male DB9.

Configuration

The pinout for the MM21 is as follows:



Installation:

Connect the RJ45 end of the MM21 cable to the M580. Connect the DB9 end to the proper equipment. Refer to the instructions for the connected devices.

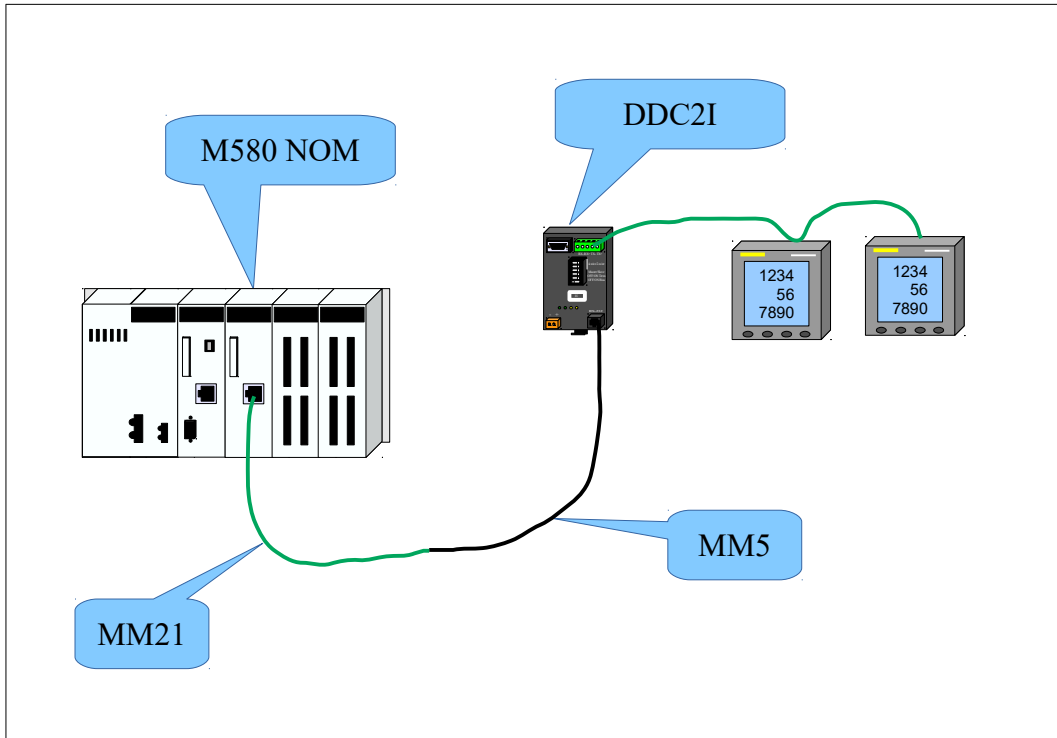
www.niobrara.com



Niobrara MM21 Cable

Example:

A user wants to connect an M580 to a daisy chain of electric meters, which are RS485. The Niobrara DDC2I (http://www.niobrara.com/html/ddc2i_cut.html) is an excellent option for this. Ordering the DDC2I-5 will get the user a DDC2I bundled with an MM5, which is designed to connect the DDC2I to a PC. Since the MM21 is designed to make the M580 appear as a PC, these cables pair perfectly.



www.niobrara.com