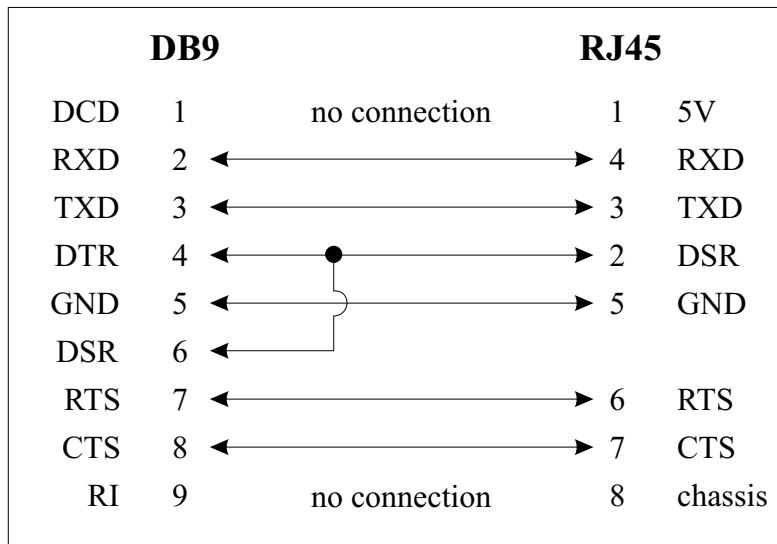


# Niobrara MM5 Cable

The Niobrara MM5 Cable is an RS-232 serial data cable intended to be used to connect a Niobrara **DDC2I** to a 9-pin male RS-232 port with the same pinout commonly found on personal computers. One end of the cable is fitted with an RJ45 plug for connection to the DDC2I; the other end terminates in a female DB9 connector for connection to the serial port of the PC or other device.

## Configuration

The pinout for the MM5 is as follows:



## Installation:

Connect the RJ45 end of the MM5 cable to the DDC2I or other device. Connect the 9-pin DB9 end of the adapter to the serial port of the PC or other RS-232 device. Refer to the instructions for the connected devices.

[www.niobrara.com](http://www.niobrara.com)